

Optical Termination Box (Indoor use)
FTB-601 Series



The FTB-601 Series is designed for connecting outdoor and indoor cables and is intended for wall mounting.

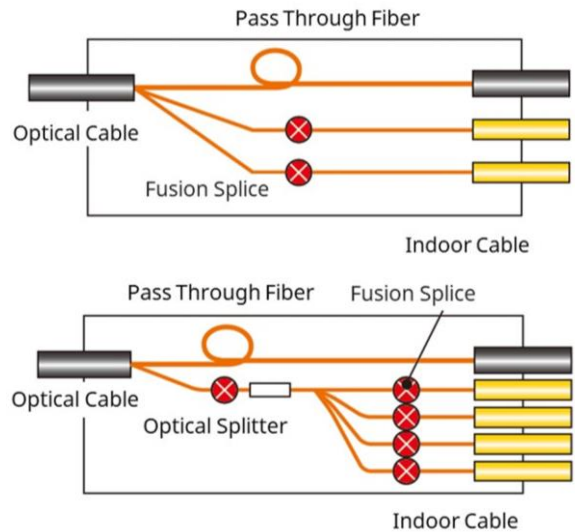
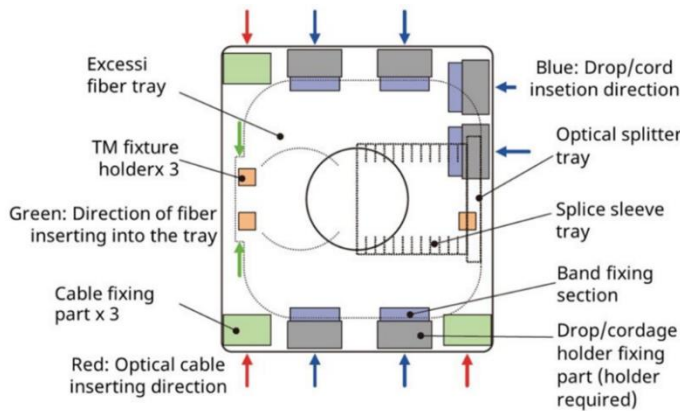
Features

- Drop cables can be installed as well as round cables.
- Output cables can be routed to the right as well as up and down directions.

Application

- Wall mount
- Indoor

Structure & Connection Type



Physical & Mechanical Characteristics

		FTB-601-12C	FTB-601-24Q
Cable Installation Direction		Top, bottom and right	
Connection Type		Fusion splice	
Fiber Capacity	Single Fiber (0.25 mm)	24 fibers	
	Single Fiber (0.9 mm)	8 fibers	
	4 Fiber Ribbon	40 fibers	
Path Through Fiber Capacity		-	160 (One side or both side branch)
Splitter Storage Space		1 pc for PLC	
Dimensions (mm)		W 160 x H 180 x D 38	
Mounting Hole Position (mm)		W 90 x H 90, 3 holes (Ø 6)	
Applicable Cable	Input	Round cable Ø 16 mm or less (1 pc), 2 mm width flat outdoor or indoor cable (3 pcs)	
	Output	2 mm width flat outdoor or indoor cable (12 pcs), 2 mm cord (6 pcs)	Round cable Ø 16 mm or less (2 pcs), 2 mm width flat outdoor or indoor cable (24 pcs), 2 mm cord (12 pcs)
Weight (kg)		Approx. 0.3	



Contact us