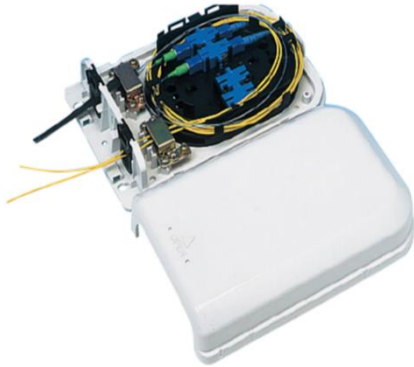


Optical Termination Box (Outdoor Use) FSPH Series



The FSPH series is designed for connecting outdoor cables as well as indoor cables. It is intended to be mounted on a wall.

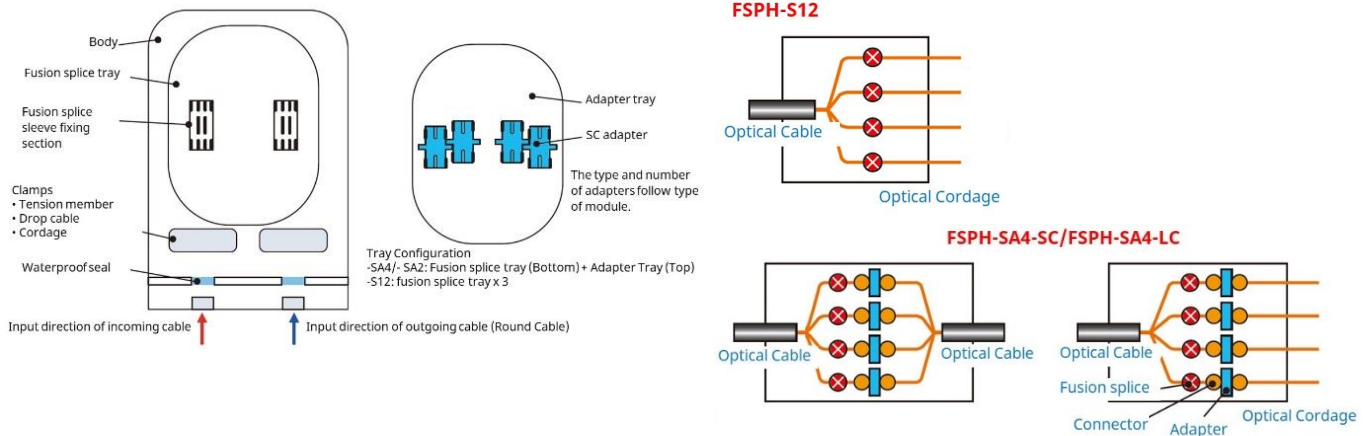
Features

- Rainproof, mountable on outdoor walls

Application

- Wall mount
- Outdoor (Under eaves) or Indoor

Structure & Connection Type



Physical & Mechanical Characteristics

		FSPH-12	FSPH-SA4-SC	FSPH-SA2-LC	FSPH-SA4-LC
Cable Installation Direction		Bottom			
Connection Type		Fusion splice	SC connector	LC connector (*1)	
Number of Adapters		None	4	2	4
Splice Fiber Capacity	Single Fiber (0.25 mm)	12 fibers	4 fibers		
	Single Fiber (0.9 mm)	12 fibers	4 fibers		
	4 Fiber Ribbon	24 fibers	8 fibers		
IP Rating		IPX3 (JIS C 0920)			
Dimensions (mm)		W 130 x H 195 x D 35			
Mounting Hole Position (mm)		Inner: W 100 x H 133, 4 holes (Ø 5, Knockout hole) Outer: W 87, 1 hole (Ø 4.5) and 2 holes (Key hole for Ø 4.5)			
Applicable Cable	Input	Round cable Ø 15 mm or less (1 pc) or 2 mm width flat outdoor or indoor cable (2 pcs)			
	Output	Round cable Ø 15 mm or less (1 pc), 2 mm cord (4 pcs), or 2 mm width flat outdoor or indoor cable (2 pcs)			
Weight (kg)		Approx. 0.3			

*1. Use short boot type of LC connector to secure the fiber bending radius.



Contact us