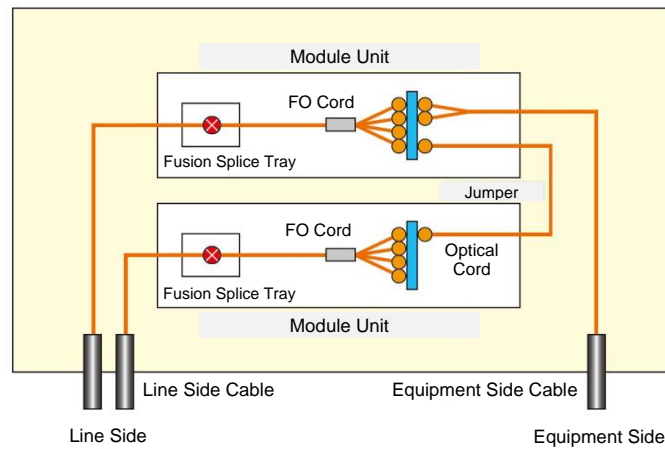
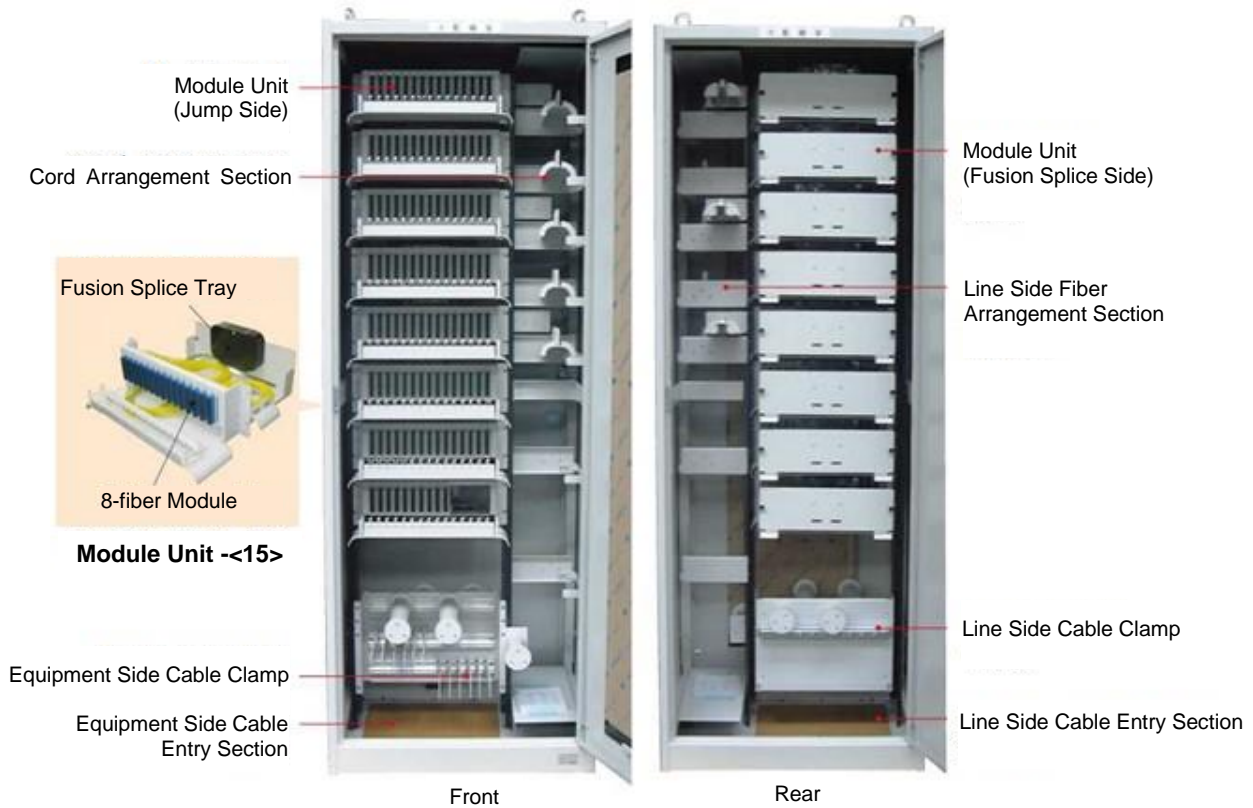


Optical Termination Enclosures

Optical Distribution Frame	Optical Distribution Frame CDF Series
	Optical Distribution Frame FDF1000 Series
Optical Termination Enclosure for 19-inch Rack	Fiber Optic Termination Box for 19-inch Rack Mounting(Sliding Enclosure) FTB-235 Series
	Fiber Optic Termination Box for 19-inch Rack Mounting(Fixed Enclosure) FTB-223A Series
Optical Termination Enclosure	Optical termination box (Residential outdoor use) FPB-202
	Optical Termination Box (outdoor use) FSPH Series
	Optical termination box FDB-FR Series
	Optical Termination Box FDB-PR Series
	Optical termination box (Apartment indoor use) FTB-601 Series
	Optical Termination Box (indoor wall mount type) FDB Series
	Small Rosette FPB-301 Series
	Optical Splitter Module 3U Module Type FSC110 Series
	Optical Splitter Module Cassette Type with 2mm Cordage FSC116 Series
Compact Splitter Module FSC114 Series	



Optical Distribution Frame CDF Series



Features

- Front and rear access optical distribution frame based on the 19-inch rack (EIA standard).
- Achieve the desired capacity by mounting a combination of module units.
- Optical distribution frame with a door.
- Please contact us for other variations in fiber count and specifications.



Contact us

Specifications

Item	Model Number	CDF-0622L	CDF-6020L	CDF-6020S
Usage Environment		Indoor		
Access		Front and Rear		
Cable Entry Direction (*1)		Top or Bottom		
Number of Line Side Cable		Maximum 8 cables		Maximum 4 Cables
Number of Module Unit (*2)		9 units	8 Units	
Maximum Number of Connector Adapter (*3)		1080	960	512
Dimensions		W 800 x D 600 x H 2200 mm	W 800 x D 600 x H 2000 mm	W 600 x D 600 x H 2000 mm

Module Unit Type	Connector Type	Number of Connector Adapters	Fiber Count of Fusion Splices (4 Fiber Ribbon)	Application Table for Optical Distribution Frame		
				CDF-6022L	CDF-6020L	CDF-6020S
Module Unit -<15>	SC	120	120F	✓	✓	
Module Unit -<8>		64	64F			✓

*1 Please specify at the time of purchase.

*2 Possible to make a selection from the application table above.

*3 The number of connector adapters varies depending on the module unit to be installed.

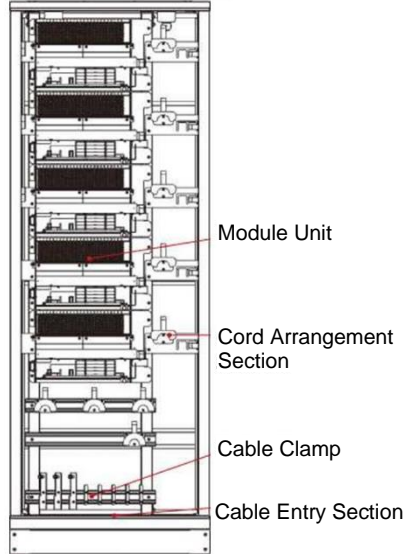


Contact us

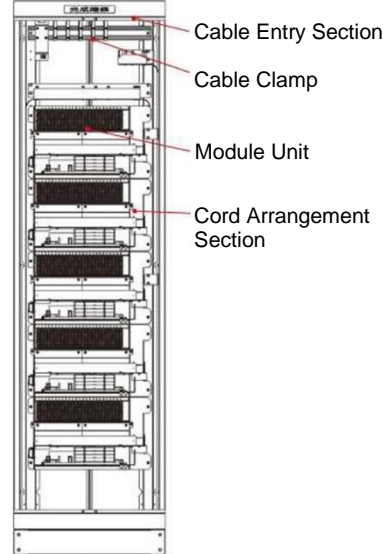
Optical Distribution Frame FDF1000 Series

Configuration Example

FDF1000RACK-8522-DD
(Bottom Cable Entry Type)

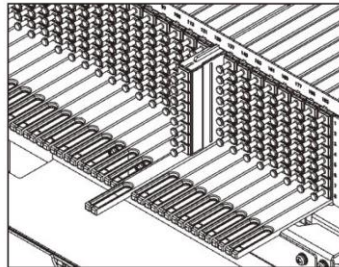
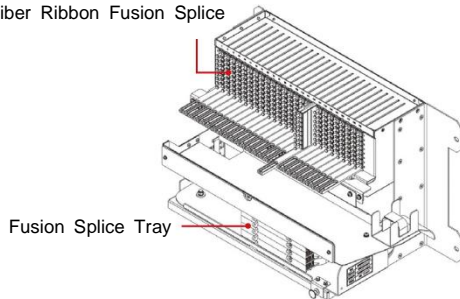


FDF1000RACK-6322-UU
(Top Cable Entry Type)



Module Unit

8FO Modules x 25
*8-fiber Ribbon Fusion Splice



Enhanced Connector
Insertion/Removal through
Module Drawer

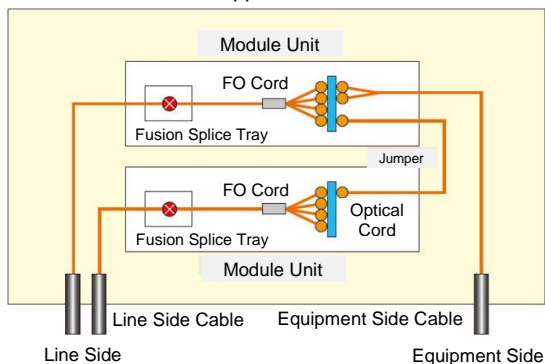


Prevention of Incorrect Removal
through Transparent Connector
Adapter

Connection Example

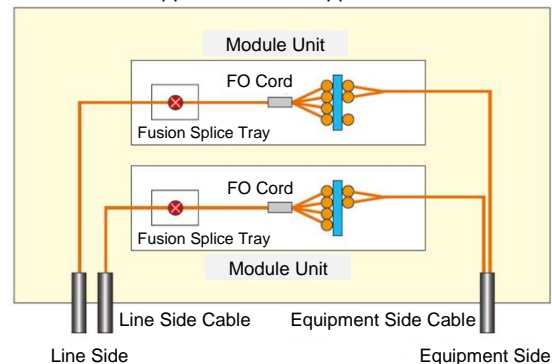
Cross Connect

FDF1000RACK-8522 is applicable to this application.



Interconnect

FDF1000RACK-6322 and FDF1000RACK-8522 are applicable to this application.



Contact us

Features

- Achieve the desired capacity by mounting a combination of module units.
- The transparent module facilitates port identification using visible light, serving as an effective countermeasure against accidental removal.
- Kindly specify the type and quantity of the frame and the module unit to be mounted when placing an order.
- Optical distribution frame comes with a door.
- FDF1000RACK-8522 is a self-standing optical distribution frame primarily for MDF applications.
- FDF1000RACK-6322 is an against-the-wall optical distribution frame primarily for DCI applications.

Specifications

Frame Model Number	FDF1000RACK-8522-UU	FDF1000RACK-8522-DD	FDF1000RACK-6322-UU	FDF1000RACK-6322-DD
Module Unit Model Number	FDF1000RACK-8522		FDF1000RACK-6322	
Usage Environment	Indoor		Indoor	
Application	For MDF		For DCI	
Installation	Self-standing		Against the wall	
Access	Front		Front	
Cable Entry Direction	Top	Bottom	Top	Bottom
Number of Line Side Cables	Maximum 18 cables (300 fibers or less) or Maximum 3 cables (1000 fibers or less)		Maximum 6 cables (300 fibers or less) or Maximum 3 cables (1000 fibers or less)	
Number of Module Unit	5 units		5 units	
Connector Type	SC		SC	
Maximum Number of Connector Adapters	1000		1000	
Dimensions	W 800 x D 600 x H 2200 mm		W 600 x D 300 x H 2200 mm	



Contact us

Fiber Optic Termination Box for 19-inch Rack Mounting (Sliding Enclosure) FTB-235 Series

Patch Panel Body



Patch Panel Body (1U)



Patch Panel Body (2U)

Adapter Panel (for 1U)



24-fiber SC Adapter Panel
(1U, Transparent)



48-fiber DLC Adapter Panel
(1U, Transparent)

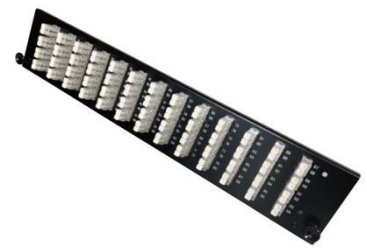
Adapter Panel (for 2U)



48-fiber SC Adapter Panel
(2U, Transparent)



104-fiber SC Adapter Panel
(2U, Transparent)



104-fiber DLC Adapter Panel
(2U, Transparent)

Note: The adapter is also available in blue. Please consult us separately.



Contact us

Wiring Guide (Optional)



Wiring Guide (For 24 fibers and 48 fibers)
Note: 104-fiber type is available.

Holding Bracket for Multi-fiber Cable (Optional)



Holding Bracket for Multi-fiber Cable

Configuration Example

Configuration Example 1
For SC Connector, 24 fibers

Patch Panel Main Body: FTB-2351-MB
Adapter Panel: FTB-2351-AP(24SC/CL)
Wiring Guide: FTB-235-WMP(24/48)



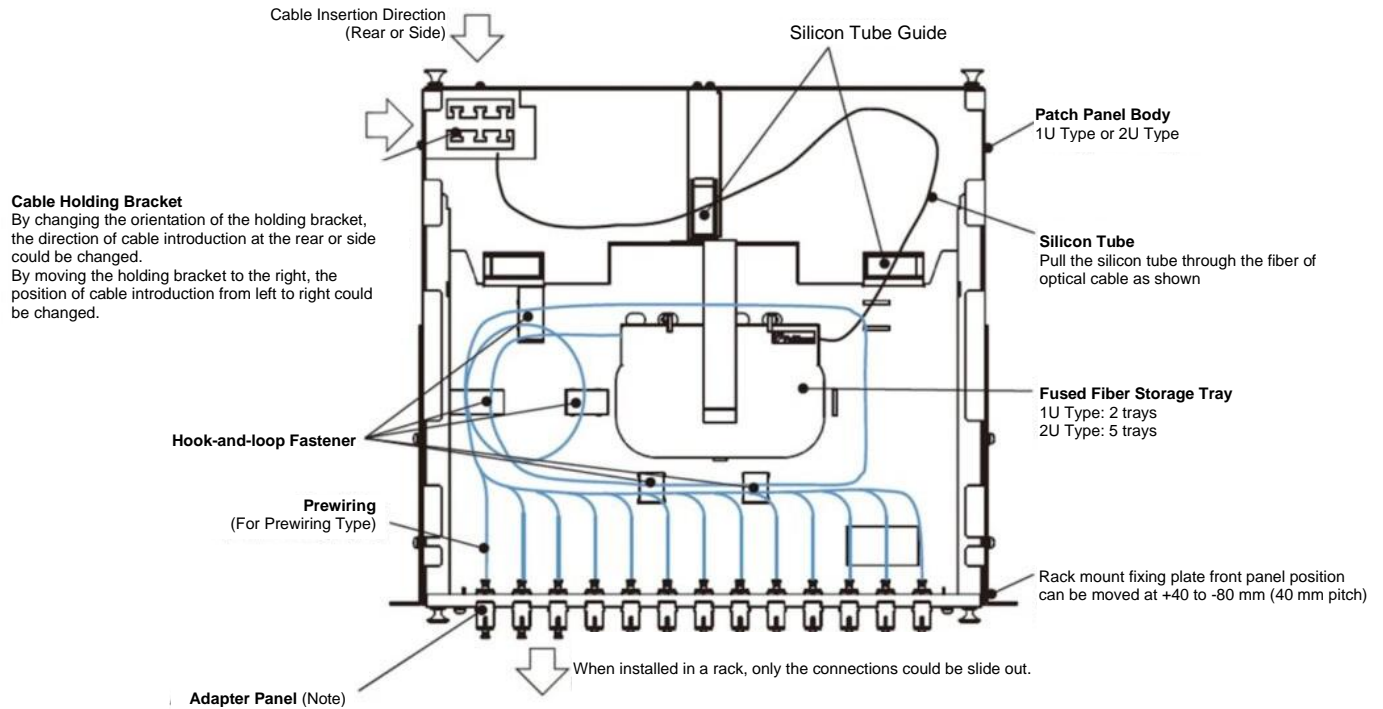
Configuration Example 2
For SC Connector, 104 fibers

Patch Panel Main Body: FTB-2352-MB
Adapter Panel: FFTB-2352-AP(104SC/CL)
Wiring Guide: FTB-235-WMP(104)



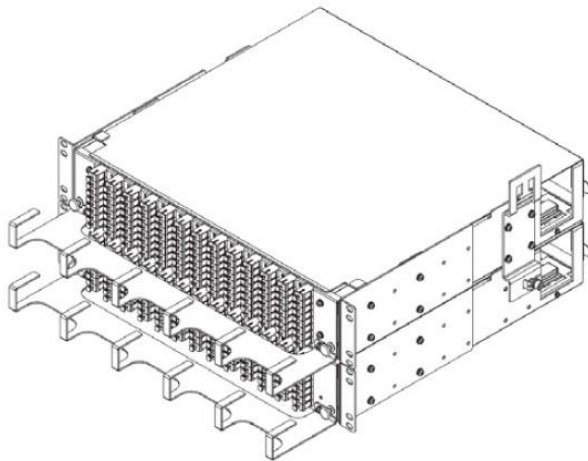
Contact us

Simplified Structure

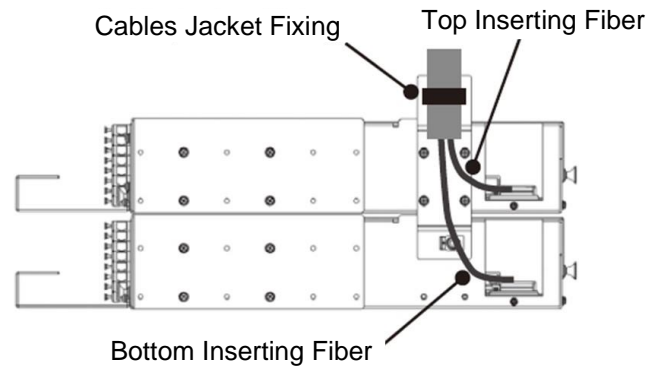


Cable Holding Bracket
By changing the orientation of the holding bracket, the direction of cable introduction at the rear or side could be changed.
By moving the holding bracket to the right, the position of cable introduction from left to right could be changed.

Note: The adapter panel can be selected from the following.
 • 1U Type: 24-fiber SC / 48-fiber DLC
 • 2U Type: 48-fiber SC / 104-fiber SC / 104-fiber DLC



Example of Mounting Holding Metal Fittings for Multi-fiber Cables



Example of Wiring when Mounting Holding Metal Fittings for Multi-fiber Cables



Contact us

Features

- Applicable for various needs by combining patch panel body, adapter panel, wiring guide, and holding metal fitting for multi-fiber cables. (Note 1, Note 2)
- Enabling ease maintenance after installation and additional connection of fibers with its sliding mechanism.
- Preventing accidental removal with the transparent optical adapter by using visible light (SM only).
- Supports 0.9 mm single fiber, 4-fiber ribbon fiber, and 8-fiber ribbon fiber optical cables.
- Available of prewiring type. (Note 2)

Note 1: The model without prewiring is delivered as a kit and needed to be assembled by customer.

Note 2: The model with prewiring is delivered after assembled with FO (Fan Out) cord at the factory.

Specifications

Patch Panel Body

Item / Model Number		Patch Panel Body (1U)	Patch Panel Body (2U)
		FTB-2351-MB	FTB-2351-MB
Enclosure Type		Slide Enclosure	
Dimensions		W 482 x D 400 x H 43 (mm)	W 482 x D 400 x H 88 (mm)
Applicable Cable	Input	Round Cable, Ø 15 mm or less (3 cables)	
	Output	Adapter Output	
Weight		Approx. 3.4 kg	Approx. 4.0 kg
Maximum Number of Fusion Splices	Single Fiber (0.25 mm)	48	120
	Single Fiber (0.9 mm)	24	60
	4 Fiber Ribbon	64	160
	8 Fiber Ribbon	-	160
Optional Mounting	Wireing Guide	FTB-235-WMP(24/48)	FTB-235-WMP(24/48) FTB-235-WMP(104)
	Grip Fitting for Multi-fiber Cable	-	FTB-2352-CH

Adapter Panel (for 1U)

Item / Model Number	24 Fiber SC Adapter Panel (1U Transparent)	48 Fiber DLC Adapter Panel (1U Transparent)
	FTB-2351-AP(24SC/CL)	FTB-2351-AP(48LC/CL)
Number of Connector Connections	24	48
Adapter Type	SC	DLC
Adapter Color	Transparent	Transparent
Weight	Approx. 0.3 kg	Approx. 0.3 kg

Adapter Panel (for 2U)

Item / Model Number	48 Fiber SC Adapter Panel (2U Transparent)	104 Fiber SC Adapter Panel (2U Transparent)	104 Fiber DLC Adapter Panel (2U Transparent)
	FTB-2352-AP(48SC/CL)	FTB-2352-AP(104SC/CL)	FTB-2352-AP(104LC/CL)
Number of Connector Connections	48	104	104
Adapter Type	SC	SC	DLC
Adapter Color	Transparent	Transparent	Transparent
Weight	Approx. 0.7 kg	Approx. 0.7 kg	Approx. 0.7 kg



Contact us

Wiring Guide (Optional)

Item	Model Number	Wiring Guide For 24 Fibers and 48 Fibers	Wiring Guide For 24 Fibers and 104 Fibers
		FTB-235-WMP(24/48)	FTB-235-WMP(104)
Supported Number of Adapter Panel Connector Connections		24 fibers, 48 fibers	104 fibers
Weight		Approx. 0.14 kg	Approx. 0.14 kg

Cable Holding Bracket (Optional)

Item	Model Number	Holding Bracket for Multi-fiber Cable
		FTB-235-CH
Supported Number of Adapter Panel Connector Connections		1 cable
Cable Outer Diameter		Ø 12-23 mm

Ordering Information for Prewiring Type

FTB-2351-PP (24SC/CL) -4FO (SM/SPC)

(1) (2) (3) (4) (5)

(1)	(2)	(3)	(4)	(5)
Patch Panel Body	Number of Fibers, Adapter Type	Adapter Color	FO Cord Fiber Count	FO Cord Type, FO Cord End Surface Polishing Method
2351: 1U type 2352: 2U type	24SC: 24 fibers SC adapter 48LC: 48 fibers LC adapter 48SC: 48 fibers LC adapter 104SC: 104 fibers SC adapter 104LC: 104 fibers LC adapter	CL: Transparent	4FO: 4 FO cord 8FO: 8 FO cord	SM/SPC: SM(R15) / SPC polishing SM/APC: SM(R15) / APC polishing GI10G/PC: MM10G(OM3) / PC polishing



Contact us

Fiber Optic Termination Box for 19-inch Rack Mounting (Fixed Enclosure) FTB-223A Series

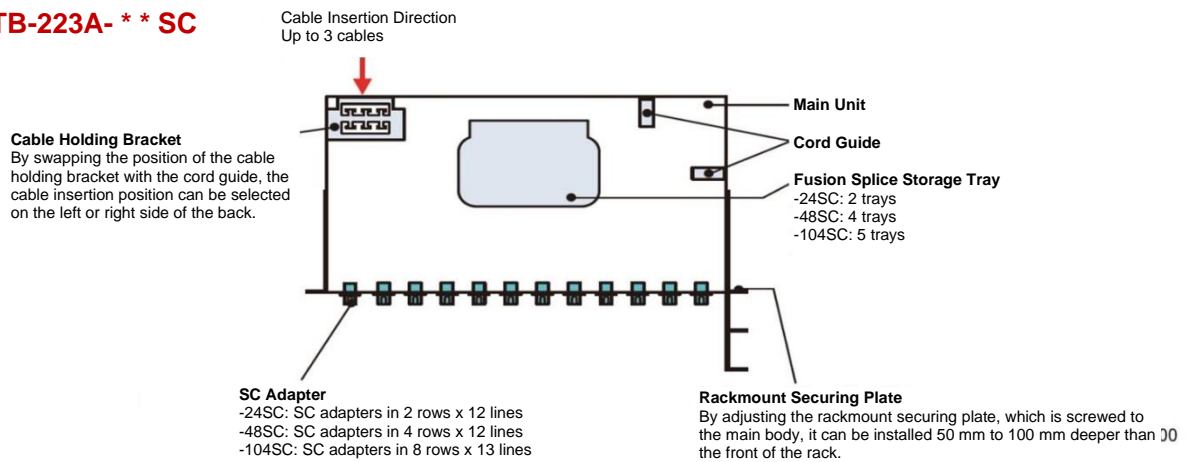
Patch Panel Body



FTB-223A-104SC-WMP

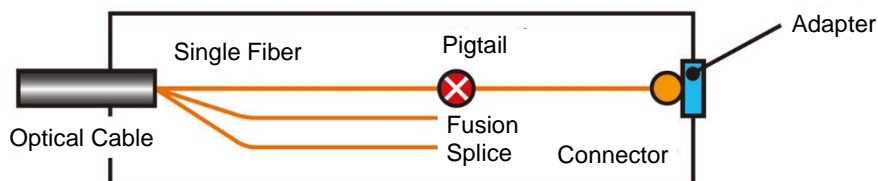
Simplified Structure

FTB-223A- * * SC



Connection Example

FTB-223A-24SC, -48SC, -104SC



Contact us

Features

- Supports 0.25 mm / 0.9 mm single fiber and 4 fiber ribbon optical cables.
- Enabling swift construction by simply pulling the latch button on the back for ease removing the upper lid
- Lighter than conventional products by utilizing aluminum as the main material

Specifications

Item	Model Number	FTB-223A Series		
		FTB-223A-24SC	FTB-223A-48SC	FTB-223A-104SC
Enclosure Type		Fixed Enclosure		
Number of Connector Connections		24	48	104
Maximum Number of Fusion Splices	Single Fiber (0.25 mm)	24	48	-
	Single Fiber (0.9 mm)	24	48	-
	4 Fiber Ribbon	60	80	120
Dimensions		W 482 x D 250 x H 43 (mm)	W 482 x D 250 x H 88 (mm)	W 482 x D 250 x H 88 (mm)
Applicable Cable	Input	Round Cable, Ø 14 mm or less (3 cables)		
	Output	Adapter Output		
Weight		Approx. 1.8 kg	Approx. 2.5 kg	Approx. 2.7 kg
Options (Wire Guide)		Add following at the end of model number Without wire guide: -N With wire guide: -WMP		

Model Number Example

Without Wire Guide: FTB-223A-24SC-N, FTB-223A-48SC-N, FTB-223A-104SC-N

With Wire Guide: FTB-223A-24SC-WMP, FTB-223A-48SC-WMP, FTB-223A-104SC-WMP

Note: Optical fiber cords for internal wiring are not included. Contact us for the availability of pre-wiring type.



Contact us

Optical Termination Box (Outdoor Use) FPB-202 Series



The FPB-202 is designed for joining flat-type outdoor cables with indoor cables using FAST™-SC (*1) connectors. It is intended for wall-mounted installation.

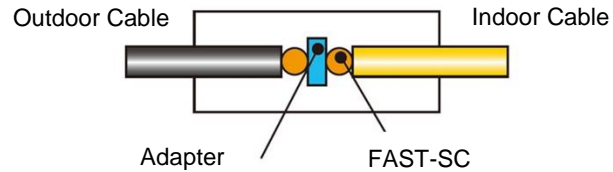
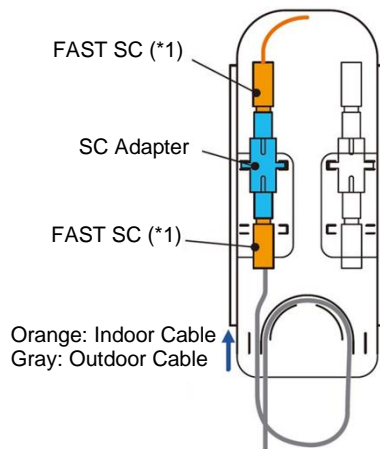
Features

- Easy installation for connecting flat-type drop cables with indoor cables.
- No excess fibers in the cabinet when using FAST-SC.

Application

- Wall mount
- Outdoor (Under eaves) or Indoor

Structure & Connection Type



Physical & Mechanical Characteristics

	FPB-202	FPB-202-1SC	FPB-202-2SC
Cable Insertion Direction	Bottom		
Connection Type	SC connector		
Number of Adapters (*2)	None	1	2
IP Rating	IPX3 (JIS C 0920)		
Dimensions (mm)	W 77 x H 183 x D 37		
Mounting Hole Position (mm)	W 27.5 x H 123, 2 holes (Ø 4) and 1 hole (Key hole for Ø 4)		
Applicable Cable	Input	2 mm width flat outdoor or indoor cable (2 pcs)	
	Output	2 mm width flat outdoor or indoor cable (2 pcs)	
Weight (kg)	Approx. 0.2		

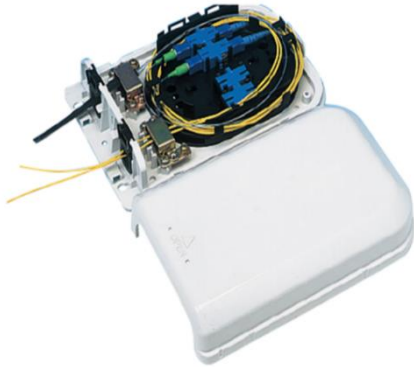
*1. FAST-SC is an option.

*2. Adapter capacity is 2 pcs.



Contact us

Optical Termination Box (Outdoor Use) FSPH Series



The FSPH series is designed for connecting outdoor cables as well as indoor cables. It is intended to be mounted on a wall.

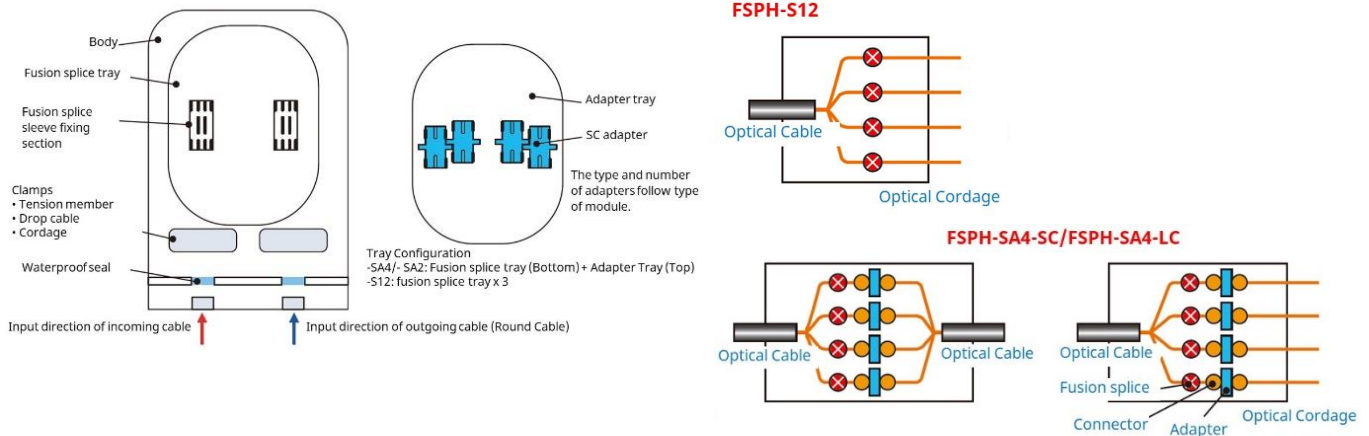
Features

- Rainproof, mountable on outdoor walls

Application

- Wall mount
- Outdoor (Under eaves) or Indoor

Structure & Connection Type



Physical & Mechanical Characteristics

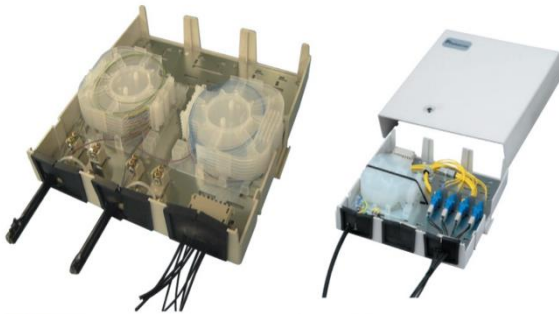
		FSPH-12	FSPH-SA4-SC	FSPH-SA2-LC	FSPH-SA4-LC
Cable Installation Direction		Bottom			
Connection Type		Fusion splice	SC connector	LC connector (*1)	
Number of Adapters		None	4	2	4
Splice Fiber Capacity	Single Fiber (0.25 mm)	12 fibers	4 fibers		
	Single Fiber (0.9 mm)	12 fibers	4 fibers		
	4 Fiber Ribbon	24 fibers	8 fibers		
IP Rating		IPX3 (JIS C 0920)			
Dimensions (mm)		W 130 x H 195 x D 35			
Mounting Hole Position (mm)		Inner: W 100 x H 133, 4 holes (Ø 5, Knockout hole) Outer: W 87, 1 hole (Ø 4.5) and 2 holes (Key hole for Ø 4.5)			
Applicable Cable	Input	Round cable Ø 15 mm or less (1 pc) or 2 mm width flat outdoor or indoor cable (2 pcs)			
	Output	Round cable Ø 15 mm or less (1 pc), 2 mm cord (4 pcs), or 2 mm width flat outdoor or indoor cable (2 pcs)			
Weight (kg)		Approx. 0.3			

*1. Use short boot type of LC connector to secure the fiber bending radius.



Contact us

Optical Termination Box (Outdoor Use) FDB-FR Series



The FDB-FR Series is designed for connecting outdoor cables as well as indoor cables. It is intended to be mounted on a wall.

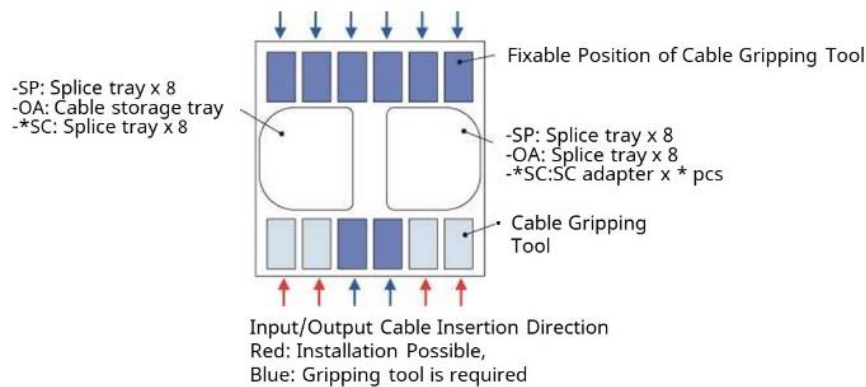
Features

- Rainproof, mountable on outdoor walls
- Parts can be easily removed as necessary.

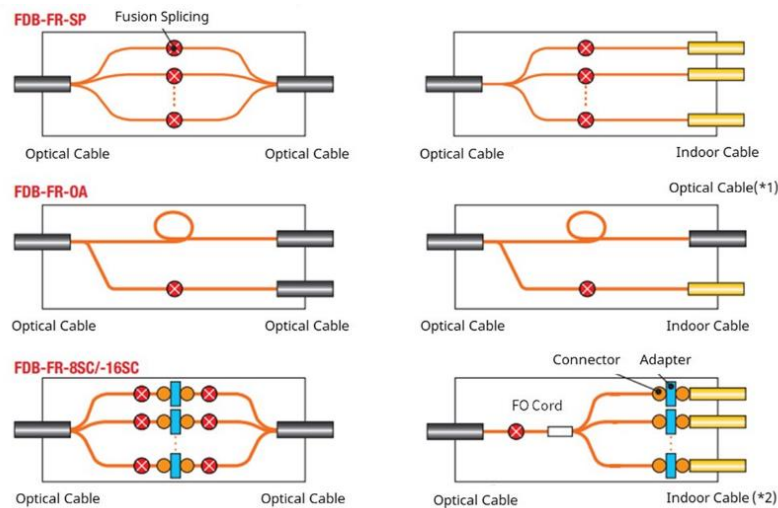
Application

- Wall mount
- Outdoor (under eaves) or indoor

Structure & Connection Type



It is possible all cables to be input.
Total number of cables may decrease, when
input/output cables are used at the same time



(*1) Max 12 cables are available with optional item
(*2) Max 48 cables are available with optional item

Φ2 mm cordage is available as output cable but it is limited for indoor use only.



Contact us

Physical & Mechanical Characteristics

		FDB-FR-SP	FDB-FR-OA	FDB-FR-8SC	FDB-FR-16SC	FDB-FR-8LC	FDB-FR-16LC
Cable Insertion Direction		Top and Bottom (Only bottom for outdoor use)					
Connection Type		Fusion splice		SC connector		LC connector	
Number of Adapters		None		8	16	8	16
Fiber Capacity	Single Fiber (0.25 mm)	64	32	32	32	32	32
	Single Fiber (0.9 mm)	64	32	32	32	32	32
	4 Fiber Ribbon	128	64	64	64	64	64
Number of Pass Through Fiber (4 Fiber Ribbon)		-	200 (Single side or both side branch)	-	-		
IP Rating		IPX3 (JIS C 0920)					
Dimensions (mm)		W 323 x H 330 x D 64					
Mounting Hole Position (mm)		W 280 x H 270, 4 holes (Ø 7.5)					
Applicable Cable	Input	Round cable Ø 13.5 mm or less (1 pc), or 2 mm width flat outdoor or indoor cable (8 pcs)					
	Output	Round cable Ø 13.5 mm or less (1 pc), 2 mm cord (16 pcs), or 2 mm width flat outdoor or indoor cable (16 pcs)					
Weight (kg)		Approx. 2					
Optional Item		FDB-FR-OP: Cable expansion kit					



Optical Termination Box (Indoor Use) FDB-PR Series



The FDB-PR is designed for connecting outdoor cables as well as indoor cables and includes a pre-installed 4 FO (Fan Out of 4 Fiber Ribbon) module.

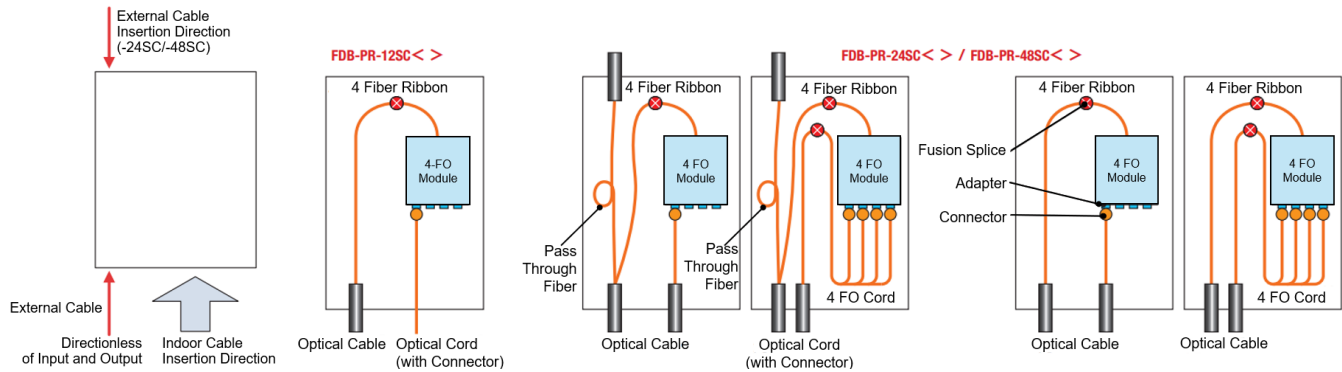
Features

- FO (fan-out) cord preparation is not necessary, enabling rapid installation.
- The 24-fiber type could be used to store pass-through cables and for mid-access branching of cables.

Application

- Wall mount
- Indoor

Structure & Connection Type



		FDB-PR-12SC (*1)	FDB-PR-24SC (*1)	FDB-PR-48SC (*1)
Cable Installation Direction		Bottom	Top and Bottom	
Connection Type		SC connector		
Adapter Capacity		Max 12	Max 24	Max 48
4 FO Module	Module Capacity	Max 3	Max 6	Max 12
	Pre-installed Fiber	4 Fiber Ribbon		
Fiber Capacity	4 Fiber Ribbon	12 fibers	48 fibers	96 fibers
Number of Pass Through Fiber (4 Rigid Ribbon Fiber)		-	100 (Single side or both side branch)	
Dimensions (mm)		W 148 x H 208 x D 59	W 268 x H 328 x D 99	W 328 x H 328 x D 99
Mounting Hole Position (mm)		W 131 x H 191, 4 holes (Ø 6)	W 251 x H 311, 4 holes (Ø 6)	W 311 x H 311, 4 holes (Ø 6)
Applicable Cable	Input	Round cable Ø 11 mm or less	Round cable Ø 17 mm or less (3 pcs)	
	Output	2 mm cord, 2 mm width flat outdoor or indoor cable	SC connectorized cord cables Ø 15 mm or less (6 pcs), 2 mm cord, 2 mm width flat outdoor or indoor cable	
Weight (kg)		Approx. 1	Approx. 3.5	Approx. 4
Optional Item		4 FO module		

*1. Specify number of pre-installed 4 FO module



Contact us

Optical Termination Box (Indoor use)
FTB-601 Series



The FTB-601 Series is designed for connecting outdoor and indoor cables and is intended for wall mounting.

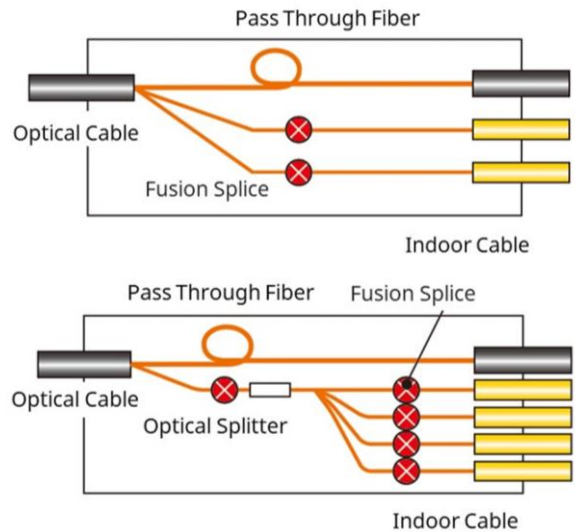
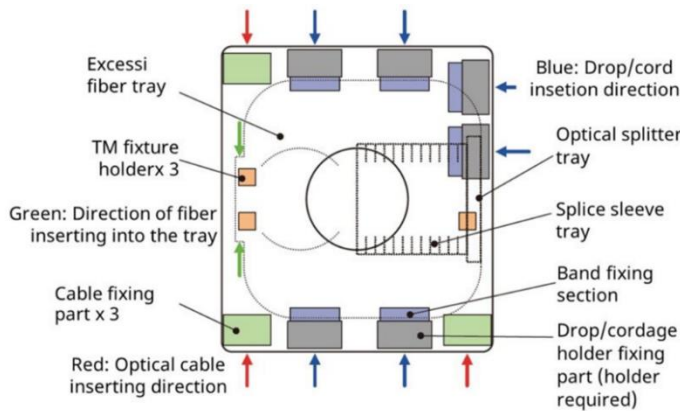
Features

- Drop cables can be installed as well as round cables.
- Output cables can be routed to the right as well as up and down directions.

Application

- Wall mount
- Indoor

Structure & Connection Type



Physical & Mechanical Characteristics

		FTB-601-12C	FTB-601-24Q
Cable Installation Direction		Top, bottom and right	
Connection Type		Fusion splice	
Fiber Capacity	Single Fiber (0.25 mm)	24 fibers	
	Single Fiber (0.9 mm)	8 fibers	
	4 Fiber Ribbon	40 fibers	
Path Through Fiber Capacity		-	160 (One side or both side branch)
Splitter Storage Space		1 pc for PLC	
Dimensions (mm)		W 160 x H 180 x D 38	
Mounting Hole Position (mm)		W 90 x H 90, 3 holes (Ø 6)	
Applicable Cable	Input	Round cable Ø 16 mm or less (1 pc), 2 mm width flat outdoor or indoor cable (3 pcs)	
	Output	2 mm width flat outdoor or indoor cable (12 pcs), 2 mm cord (6 pcs)	Round cable Ø 16 mm or less (2 pcs), 2 mm width flat outdoor or indoor cable (24 pcs), 2 mm cord (12 pcs)
Weight (kg)		Approx. 0.3	



Contact us

Optical Termination Box (Indoor Use) FDB Series



FDB series are indoor wall mount type of optical termination box.

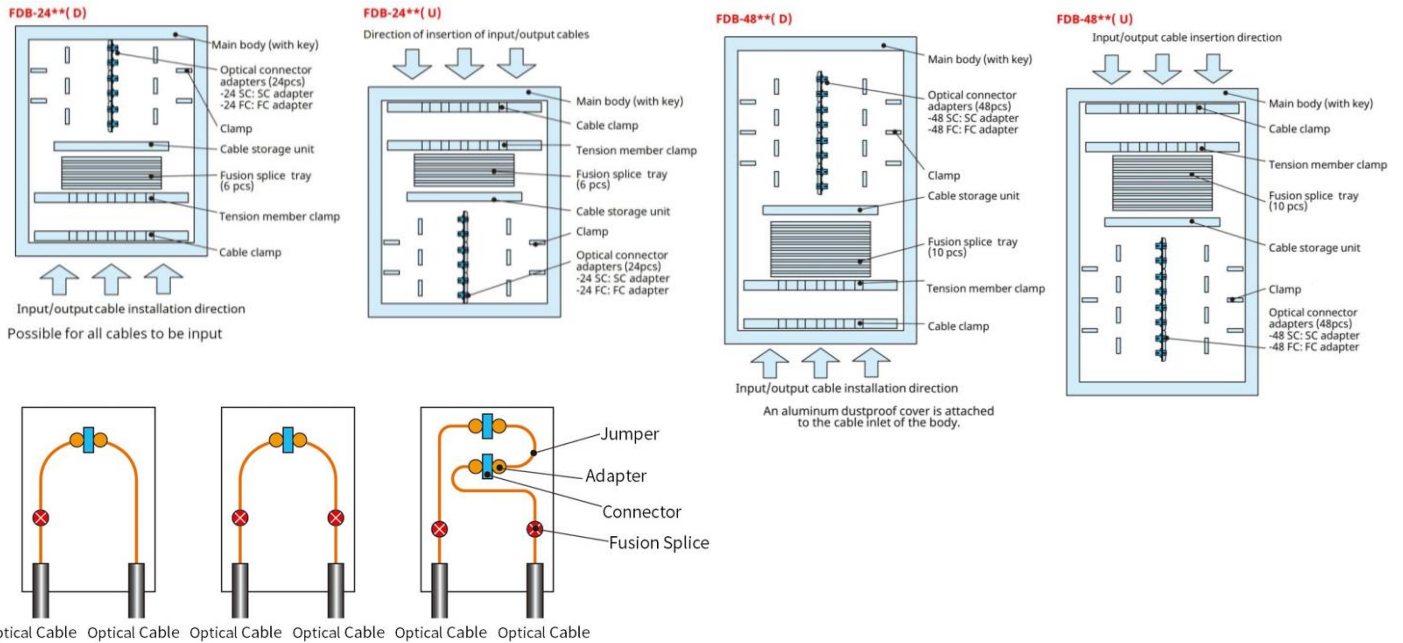
Features

- A flexible termination box, capable of connecting optical cables, cordage, and adapters
- Suitable for network maintenance

Application

- Indoor
- Wall mount

Structure & Connection Type



Physical & Mechanical Characteristics

	FDB-24SC (U)	FDB-24SC (D)	FDB-48SC (U)	FDB-48SC (D)
Cable Installation Direction	Top	Bottom	Top	Bottom
Connection Type	SC connector (*1) and Fusion splice			
Number of Adapters	24		48	
Fiber Capacity	Single Fiber (0.25 mm)	60 fibers	100 fibers	
	Single Fiber (0.9 mm)	60 fibers	100 fibers	
	4 Fiber Ribbon	120 fibers	200 fibers	
Dimensions (mm)	W 500 x H 600 x D 160		W 500 x H 800 x D 160	
Mounting Hole Position (mm)	W 460 x H 480, 4 holes (Ø 10)		W 460 x H 680, 4 holes (Ø 10)	
Applicable Cable	Input	Round cable Ø 30 mm or less (1 pc)		
	Output	Round cable Ø 30 mm or less (4 pcs), 2 mm cord		
Weight (kg)	Approx. 25		Approx. 35	

*1. FC connector type is available.



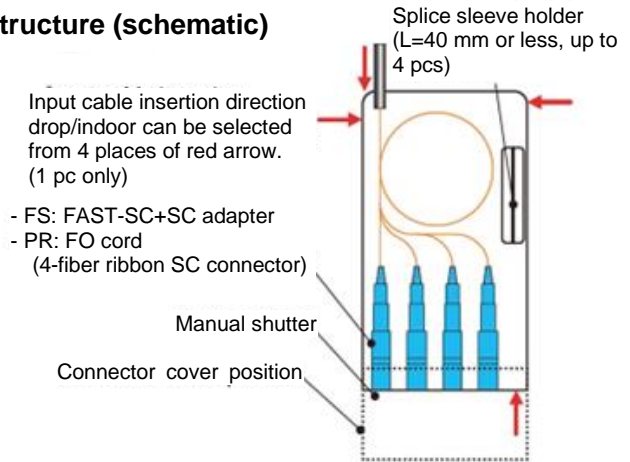
Contact us

Small Rosette FPB-301 Series



FPC-301-4SC

Structure (schematic)



Features

- UV resistant
- Suitable for termination of FTTH condominiums and of LAN (FTTD).
- Built in FO(-PR) and field-assembled connector (FAST-SC) (-FS) available
- Indoor cable and drop cable can be installed. Use the fibers having R15 mm bending diameter such as “SR15” and “SR15E”.

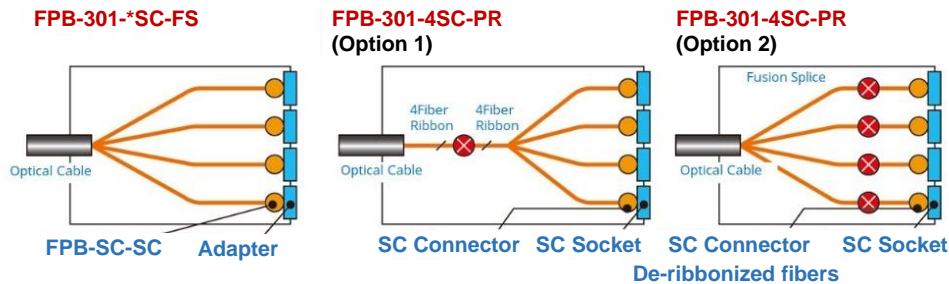
Physical & Mechanical Characteristics

		FPB-301-2SC-FS	FPB-301-4SC-FS	FPB-301-4SC-PR (*1)
Cable Installation Direction		Top, bottom, left or right		
Connector Type		SC (*2)		SC
Number of Connector Connections		2	4	4
Fusion Splice	Single Fiber (0.25 mm)	-		4 (single fiber separation required)
	4 Fibers Ribbon	-		4
Dimensions		W 76 x H 165 x D 26 mm		
Mounting Hole Position		H30 2 holes – Ø4.5 mm		
Applicable Cable	Input	2 mm side drop (1 pc), round cable Ø10 mm or less		
	Output	Adapter output		
Weight		Approx. 0.1 kg		

*1 Built-in 4FO fiber

*2 FAST-SC included

Connection Type

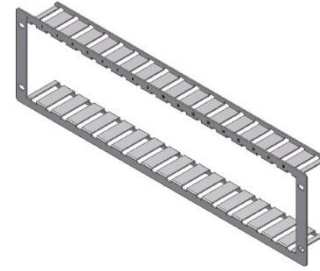


Contact us

Optical Splitter Module 3U Module Type FSC110 Series



1×16, 1×8, 1×4
Optical Splitter Module



FSC110
Splitter Module Chassis

Features

- Suitable for mounting in a 19-inch rack (EIA standard). Consult for mounting in a JIS 19-inch rack.
- The layout is designed for high-density and easy installation.
- Various combinations/types of modules are available for various application, allowing for efficient mounting.

FSC110 Series Module Lineup

Model Number	Input/Output Type	Number of ports / Number of circuits	Dimensions	Number of Occupied Slots
FSC110-1x2-SC	SC Connector Adapter	1 input / 2 output	W 22 x H 130 x D 117 mm	1
FSC110-3(1x2)-SC		1 input / 2 output (x 3 circuits)		
FSC110-1x4-SC		1 input / 4 output		
FSC110-2(1x4)-SC		1 input / 4 output (x 2 circuits)		
FSC110-1x8-SC		1 input / 8 output		
FSC110-1x16-SC		1 input / 16 output	W 47 x H 130 x D 117 mm	2
FSC110-1x32-SC		1 input / 32 output	W 97 x H 130 x D 117 mm	4

Chassis for FSC110

Chassis for FSC110	
Capacity	18 slots
Dimensions	W 483 x H 133 x D 48 mm (19 inch rack 3U)

Splitter Module Specifications

	1 x 2	1 x 4	1 x 8	1 x 16	1 x 32
Wavelength	1310 nm and 1550 nm				
Insertion Loss	≤ 4.3 dB	≤ 8.0 dB	≤ 11.6 dB	≤ 14.9 dB	≤ 18.4 dB
Insertion Loss Uniformity (*1)	≤ 0.9 dB	≤ 0.8 dB	≤ 1.0 dB	≤ 1.5 dB	≤ 2.0 dB
Return Loss	≥ 50 dB (UPC polishing) / ≥ 50 dB (APC polishing)				

*1 Loss uniformity in the table does not include input/output connector loss.

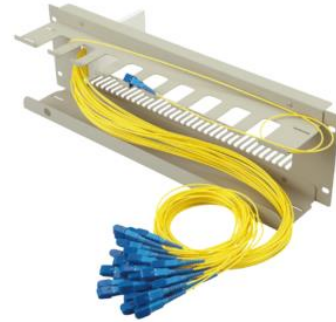


Contact us

Optical Splitter Module, Cassette Type with 2 mm Cordage FSC116 Series



1x32 Splitter Module



Implementation Example
(Chassis and Modules)

Features

- No connector adapter on the panel makes compact and high density modules.
- Comparing to patch cord connections with fusion splice, there is less connection, resulting in low loss.
- It can be installed in blank spaces in housing or on indoor walls.

FSC116 Series Module Lineup

Model Number	Input/Output Type	Number of ports / Number of circuits	Dimensions	Number of Occupied Slots
FSC116-1x2-SC	Optical cord with SC connector (Ø 2 mm, Standard Length 1.5 m)	1 input / 2 output	W 9.2 x H 65 x D 130 mm	1
FSC116-1x4-SC		1 input / 4 output		
FSC116-1x8-SC		1 input / 8 output		
FSC116-1x16-SC		1 input / 16 output		
FSC116-1x32-SC		1 input / 32 output		
FSC116-1x64-SC		1 input / 64 output	W 13.2 x H 65 x D 130 mm	2

Chassis for FSC116

Chassis for FSC116	
Capacity	36 slots
Dimensions	W 483 x H 133 x D 114 mm (19 inch rack 3U)

Splitter Module Specifications

	1 x 2	1 x 4	1 x 8	1 x 16	1 x 32
Wavelength	1310 nm and 1550 nm				
Insertion Loss	≤ 4.3 dB	≤ 8.0 dB	≤ 11.6 dB	≤ 14.9 dB	≤ 18.4 dB
Insertion Loss Uniformity (*1)	≤ 0.9 dB	≤ 0.8 dB	≤ 1.0 dB	≤ 1.5 dB	≤ 2.0 dB
Return Loss	≥ 50 dB (UPC polishing) / ≥ 50 dB (APC polishing)				

*1 Loss uniformity in the table does not include input/output connector loss.



Contact us

Compact Splitter Module FSC114 Series

FSC114 Series

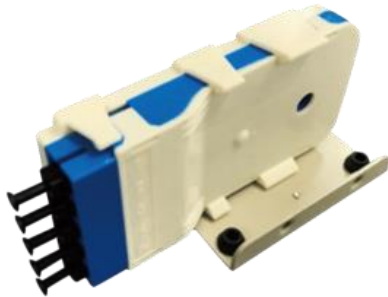


1 x 4 Splitter Module
(UPC (top), APC (bottom))

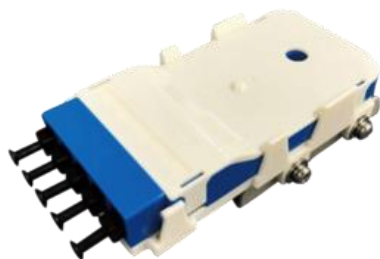


1 x 8 Splitter Module
(UPC (top), APC (bottom))

Magnet Base Mounting Example



Vertical



Horizontal



Magnet Base Body



Contact us

Features

- Installable in unused spaces of housing or on indoor wall.
- Supports connector polishing of both UPC and APC
- Additionally, there is a variant equipped with a magnet base for mounting on the FSC114 body, enabling both vertical and horizontal positioning.

FSC114 Series Module Lineup

Model Number	Input/Output Type	Number of ports / Number of Circuits	Dimensions	Assembly Dimensions (Vertical layout)	Assembly Dimensions (Horizontal layout)
FSC114-1x2-SC	SC Connector Adapter	1 input / 2 output	W 28 x H 55 x D 105 mm	W 47 x H 61 x D 109 mm	W 59 x H 36 x D 109 mm
FSC114-1x4-SC		1 input / 4 output			
FSC114-1x8-SC		1 input / 8 output	W 35 x H 57 x D 105 mm	W 47 x H 63 x D 109 mm	W 61 x H 43 x D 109 mm

Splitter Module Specifications

	1 x 2	1 x 4	1 x 8	1 x 16	1 x 32
Wavelength	1310 nm and 1550 nm				
Insertion Loss	≤ 4.3 dB	≤ 8.0 dB	≤ 11.6 dB	≤ 14.9 dB	≤ 18.4 dB
Insertion Loss Uniformity (*1)	≤ 0.9 dB	≤ 0.8 dB	≤ 1.0 dB	≤ 1.5 dB	≤ 2.0 dB
Return Loss	≥ 50 dB (UPC polishing) / ≥ 50 dB (APC polishing)				

*1 Loss uniformity in the table does not include input/output connector loss.



Contact us