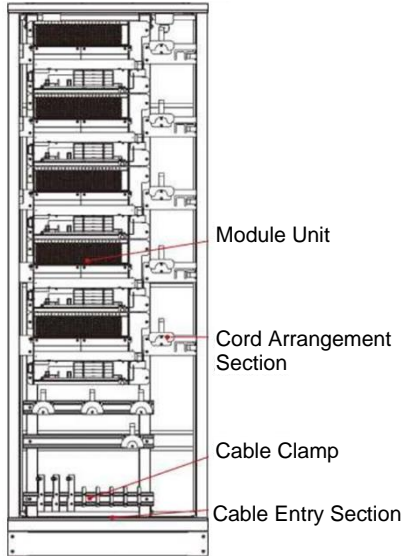


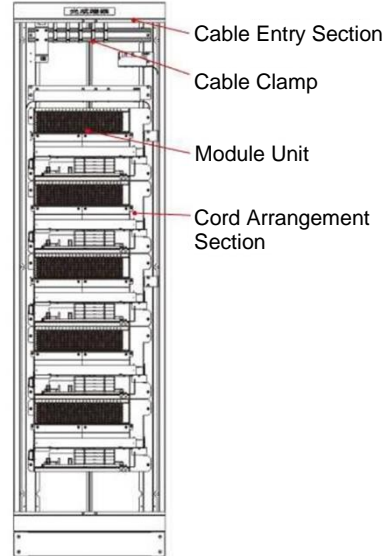
Optical Distribution Frame FDF1000 Series

Configuration Example

FDF1000RACK-8522-DD
(Bottom Cable Entry Type)

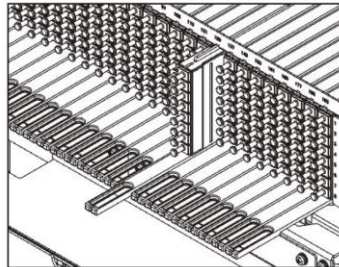
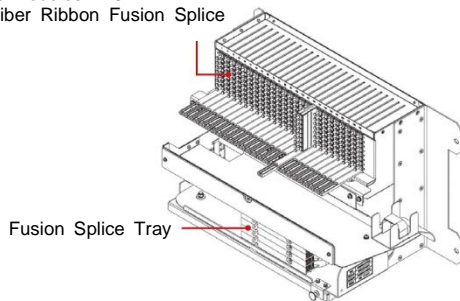


FDF1000RACK-6322-UU
(Top Cable Entry Type)



Module Unit

8FO Modules x 25
*8-fiber Ribbon Fusion Splice



Enhanced Connector
Insertion/Removal through
Module Drawer

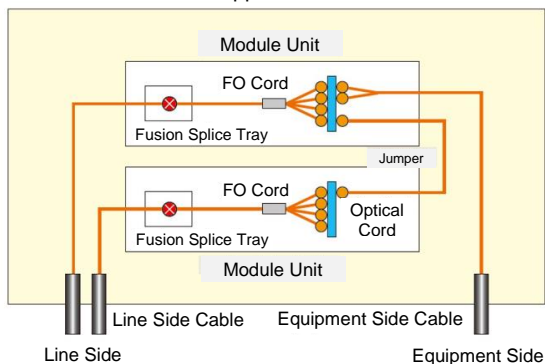


Prevention of Incorrect Removal
through Transparent Connector
Adapter

Connection Example

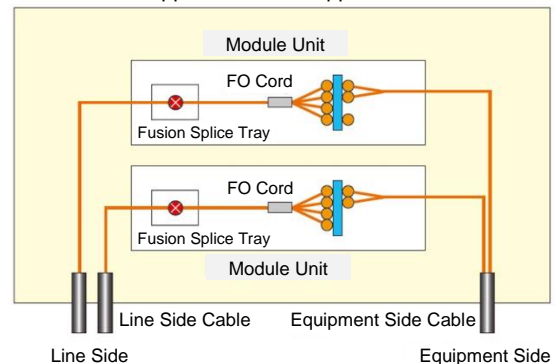
Cross Connect

FDF1000RACK-8522 is applicable to this application.



Interconnect

FDF1000RACK-6322 and FDF1000RACK-8522 are applicable to this application.



Contact us

Features

- Achieve the desired capacity by mounting a combination of module units.
- The transparent module facilitates port identification using visible light, serving as an effective countermeasure against accidental removal.
- Kindly specify the type and quantity of the frame and the module unit to be mounted when placing an order.
- Optical distribution frame comes with a door.
- FDF1000RACK-8522 is a self-standing optical distribution frame primarily for MDF applications.
- FDF1000RACK-6322 is an against-the-wall optical distribution frame primarily for DCI applications.

Specifications

Frame Model Number	FDF1000RACK-8522-UU	FDF1000RACK-8522-DD	FDF1000RACK-6322-UU	FDF1000RACK-6322-DD
Module Unit Model Number	FDF1000RACK-8522		FDF1000RACK-6322	
Usage Environment	Indoor		Indoor	
Application	For MDF		For DCI	
Installation	Self-standing		Against the wall	
Access	Front		Front	
Cable Entry Direction	Top	Bottom	Top	Bottom
Number of Line Side Cables	Maximum 18 cables (300 fibers or less) or Maximum 3 cables (1000 fibers or less)		Maximum 6 cables (300 fibers or less) or Maximum 3 cables (1000 fibers or less)	
Number of Module Unit	5 units		5 units	
Connector Type	SC		SC	
Maximum Number of Connector Adapters	1000		1000	
Dimensions	W 800 x D 600 x H 2200 mm		W 600 x D 300 x H 2200 mm	



Contact us